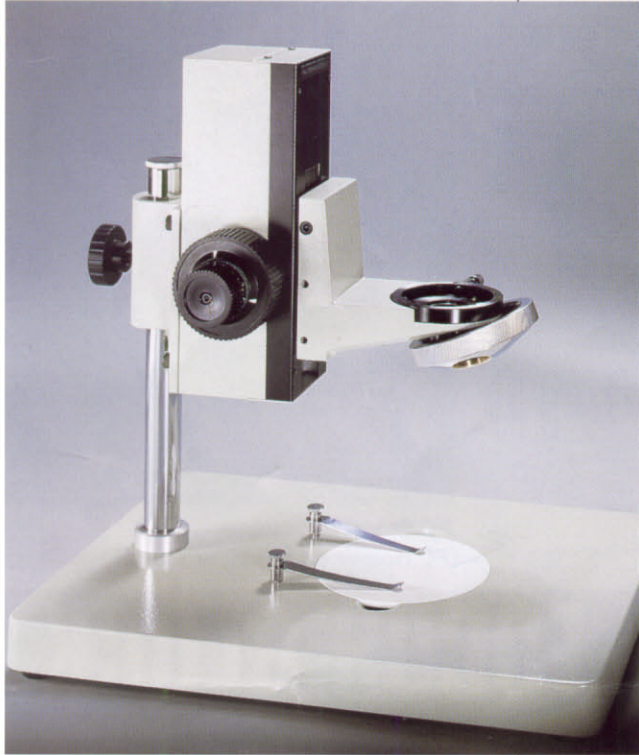




**MEIJI
TECHNO**

FU1000 FOCUS BLOCK

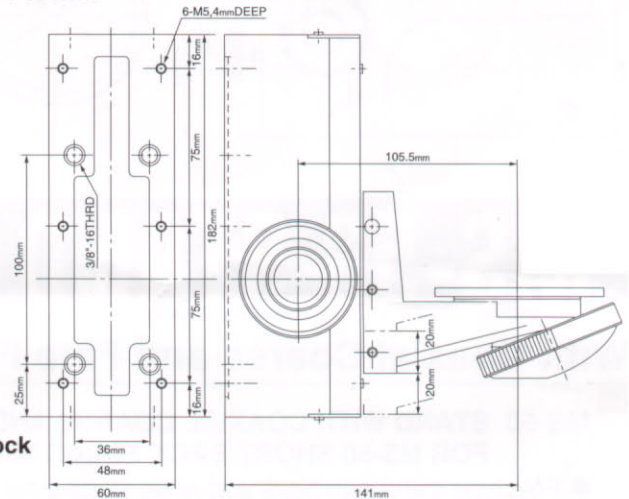
With Coaxial Coarse and Fine Focus Controls



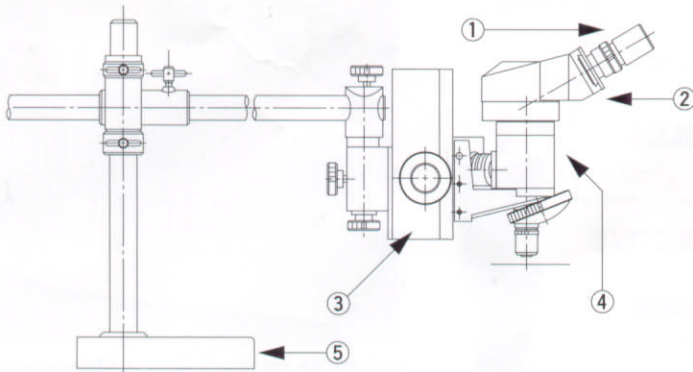
FU1000 mounted on the stand pillar

FU1000 FOCUS BLOCK FOR COMPOUND MICROSCOPE COMPONENTS

- Modular compound microscope system
- Accepts MEIJI's infinity corrected brightfield metallurgical objectives and Epi-Illumination system
- Accepts MEIJI's DIN standard biological objectives
- Accepts MEIJI's metallurgical and biological binocular and trinocular bodies
- Quintuple nosepiece
- 20mm mounting post bracket
- 40mm Z Axis travel
- Dimensions: Height 182mm, Width 60mm
- Distance from optical center axis to rear mounting plate 141mm

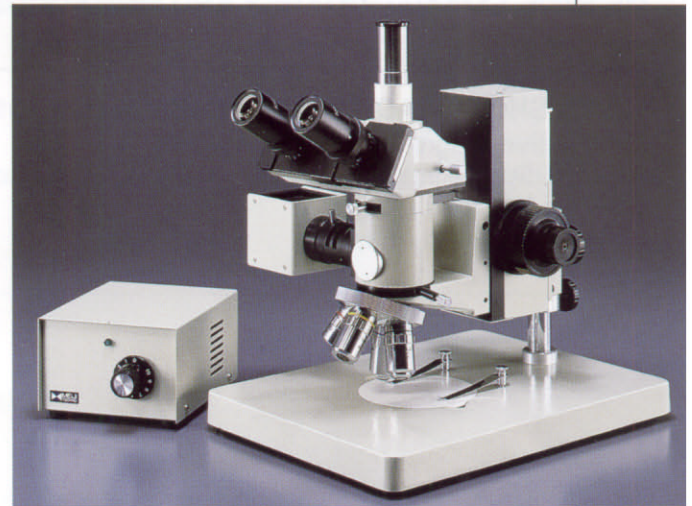


FU1000 Focus Block



- ① **MA407** DIN Compensating eyepieces 10X, field number 20
- ② **MA657/05** Binocular head, erect image, with depolarizer
- ③ **FU1000** Focus block with coaxial focus
- ④ **MA651/100** Vertical Koehler illuminator, 6V 30W Halogen lamp, with infinity tube lens, clear blue, clear green, ND8 neutral density filters in mounts
- ⑤ **S-4400** Universal boom stand, Vertical poled 610mm (24") tall, Horizontal pole 535mm (21.06") long

MA651/05 Transformer, 115 Volts
MA651/10 Transformer, 220 Volts Not Pictured in the above drawing.



FU1000 seen right side of the stand pillar