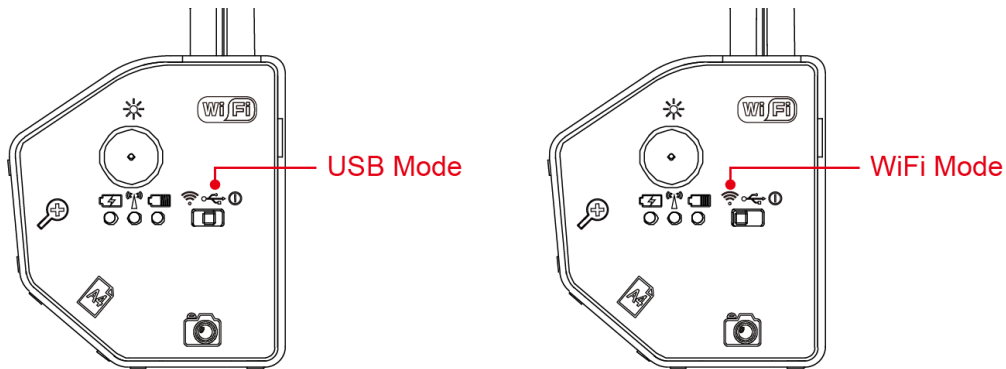
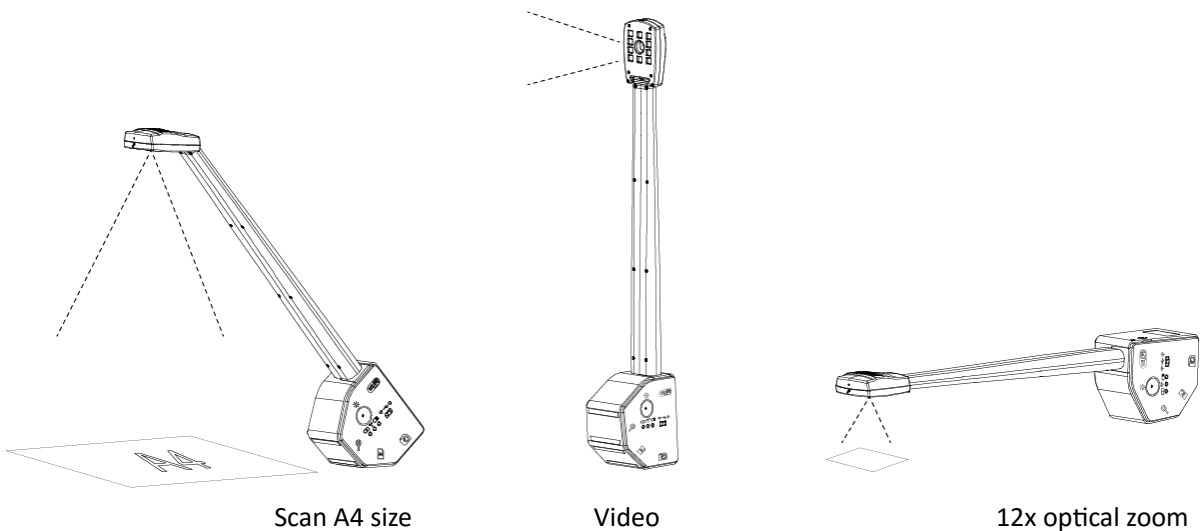


WF100 Quick Installation instructions

1. Choose working mode: USB or WiFi modes. Following connection methods are available :
 - A. switch work mode to USB mode, connect to PC via. USB cable, start PC software;
 - B. switch work mode to WiFi mode, connect to WiFi devices like mobile phones/ tablets/computers, select the WLAN name: VideoWiFi - XXXXXX, enter password: 12345678, when connection is successful, start App (if you are using PC software , please check "connect wireless devices" and select "wirlessCam" in the camera.)



2. Select functions buttons: A4 document, video, zoom, start to use.



5895 Rue Ferrari San Jose, CA 95138
1 (800) 832-0060 | Fax: (408) 226-0900
www.meijitechno.com