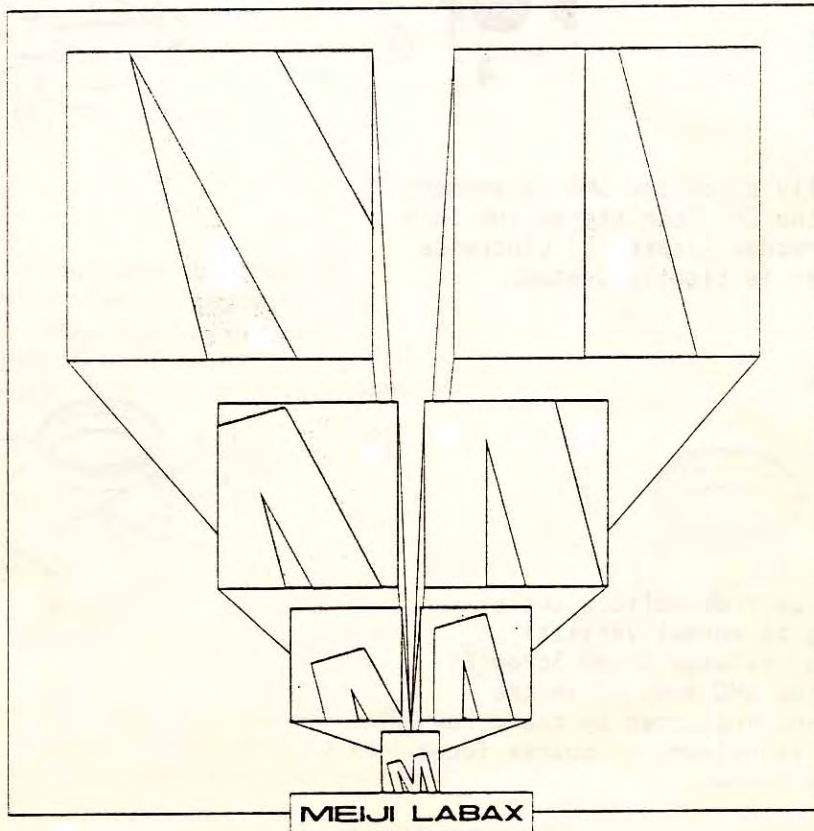




SMD ATTACHMENT

INSTRUCTION MANUAL

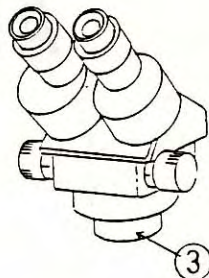
MEIJI LABAX CO.,LTD.



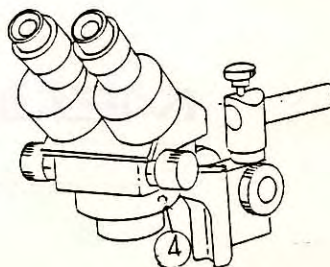
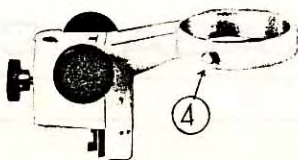
Tokyo Japan

INSTRUCTION TO FIT SMD INSPECTION ATTACHMENT (MA571) TO
MEIJI LABAX EMZ SERIES ZOOM STEREO MICROSCOPES

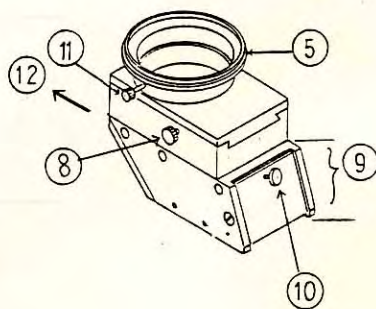
1. Remove lower cover (3) from the zoom stereo body by turning counter-clockwise.



2. Place the Zoom stereo body into the Focusing block (F Holder) and clamp with the knurled clamp screw (4).



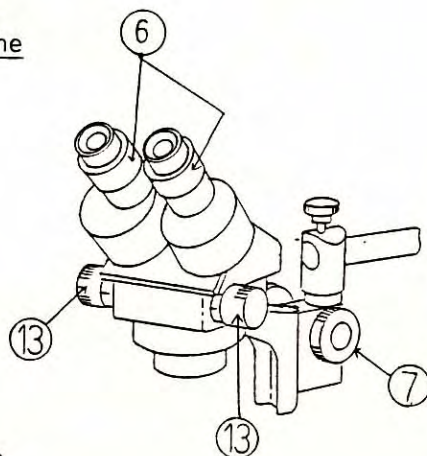
3. Carefully place the SMD attachment under the EMZ Zoom stereo and turn the Threaded Adapter (5) clockwise until it is tightly seated.



4. To change from oblique angle viewing to normal vertical viewing, release Clamp Screw (8) and slide SMD body (9) in the direction indicated by the arrow (12). Slight adjustment in coarse focus will be needed.

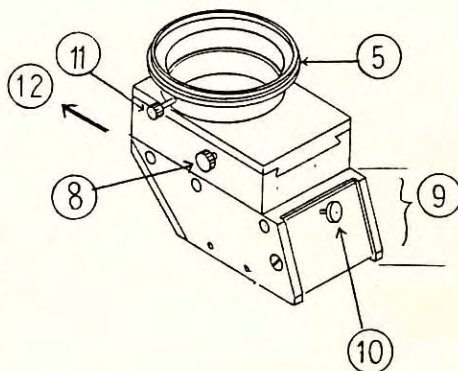
- With SMD Attachment in normal vertical viewing position, set zoom control 13 at maximum magnification (4.5X) and diopter tubes (6) at zero. Then using the coarse focus controls 7, focus on the specimen. Re-set zoom control (13) to minimum magnification (0.7X) and re-focus specimen using the diopter adjustment (6) only.

The specimen will now stay in focus throughout the zoom range.



- To change from vertical to oblique angle viewing, reverse the instruction in #4 above. Re-focus using coarse focus controls (7) only.

- By turning adjustment Screw (10) the oblique viewing angle may be changed. When the oblique angle is changed it will be necessary to re-adjust the coarse focus control (7).



- By releasing Clamp (11) the SMD Attachment can be rotated through 360° to enable viewing the specimen from any direction.

MEIJI LABAX AMERICA
500 W. CUMMINGS PK., SUITE 2350
WOBURN, MASSACHUSETTS 01801