

Model C400N

D.S.P with
On -Screen Programming
Miniature 1/2" Color
CCD Camera



410,000 Pixels CCD 768 x 494/752 x 582

High sensitivity 0.8 lux at F1.2, 50 IRE

Multi-Zone Backlight Compensation

S-Video & Composite Output

Electronic Shutter - 1/60 to 1/100,000 sec.

Variable Gamma

3-Mode White Balance: ATW/AWC/Manual

Text display, 24 alphanumeric characters

On-Screen Menu & Adjustment

Parameter Adjustments Include Contrast Control



MEIJI TECHNO

Meiji Techno America

3010 Olcott Street Santa Clara, CA 95054-3207

Tel: (800) 832-0060 FAX: (408) 970-5054

Visit us online at www.meijitechno.com

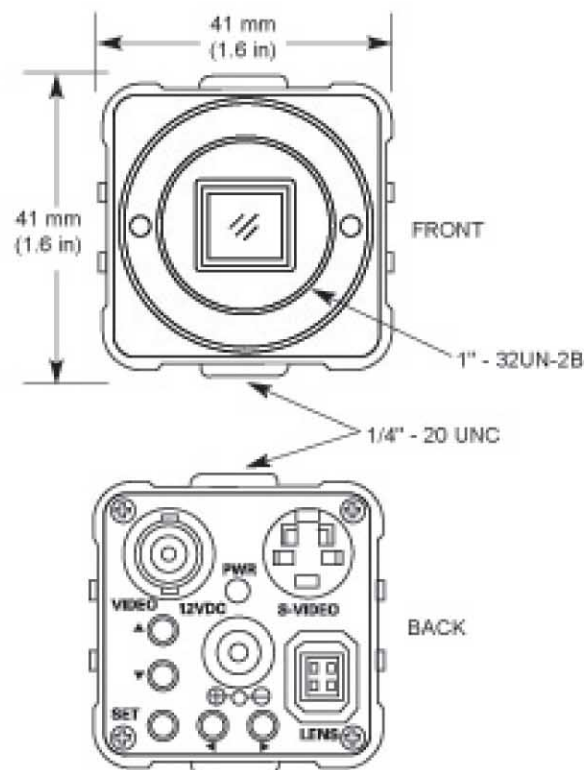
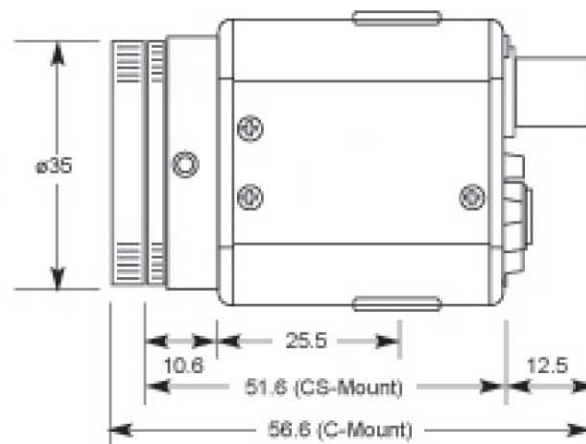
MEIJI
TECHNO

Model C400N

D.S.P with On -Screen Programming Miniature 1/2" Color CCD Camera

Specifications

Model	C400N / C400P
Pick-up Device	1/2" Interline Transfer CCD
Effective Pixels	768(H) x 494(V) / 752(H) x 582(V)
TV System	NTSC/PAL
Sync System	Internal
Horizontal Resolution	470 TV Lines
Video Outputs	Composite Video (1.0Vp-p/ 75%) Separate Y/C (Y: 1Vp-p/75%, C: 0.286Vp-p/75%)
Video S/N Ratio	50dB (AGC Off, Sharpness Low)
Minimum Illumination	0.8 Lux (F 1.2, 50 IRE)
AGC	34dB (On/Off Selectable)
White Balance	ATWAWC/Manual (2,400K to 10,000K)
Backlight Compensation	On/Off (8 Sensing Zones Multi-Sele)
Auto Electronic Shutter	Auto/Manual (1/60 ~ 1/100,000 Sec.)
Auto Iris Lens	Video Type
Gamma Correction	Variable
Text Display	24 Alphanumeric Characters (On/Off Selectable)
Lens Mount	C/CS Mount (C-mount adapter included)
Power	DC12V
Operating Temperature	-10°C to 50°C (14°F to 122°F)
Weight	150g (0.33 lbs.)
Dimension (Without Lens)	41 (W) x 41 (H) x 56 (D) mm 1.6 (W) x 1.6 (H) x 2.0 (D) in



MEIJITECHNO

Meiji Techno America
 3010 Olcott Street Santa Clara, CA 95054-3207
 Tel: (800) 832-0060 FAX: (408) 970-5054
 Visit us online at www.meijitechno.com

MEIJITECHNO